

Lift Check Valve

## SICCA 800-4500 PCF

Class 800-4500  
NPS 1/4-2 Inches

### Type Series Booklet



## **Legal information/Copyright**

Type Series Booklet SICCA 800-4500 PCF

All rights reserved. The contents provided herein must neither be distributed, copied, reproduced, edited or processed for any other purpose, nor otherwise transmitted, published or made available to a third party without the manufacturer's express written consent.

Subject to technical modification without prior notice.

© KSB Aktiengesellschaft, Frankenthal 13/12/2017

**Contents**

**Check Valves and Strainers ..... 4**

- Lift Check Valves to ANSI/ASME ..... 4
  - SICCA 800-4500 PCF ..... 4
    - Main applications ..... 4
    - Fluids handled ..... 4
    - Operating data ..... 4
    - Body materials ..... 4
    - Design details ..... 4
    - Product benefits ..... 5
    - Related documents ..... 5
    - Purchase order specifications ..... 5
    - Pressure/temperature ratings ..... 6
    - Materials ..... 8
    - Dimensions and weights ..... 9
      - Dimensions and weights of SICCA 800 PCF ..... 9
      - Dimensions and weights of SICCA 1500/2500 PCF ..... 10
      - Dimensions and weights of SICCA 4500 PCF ..... 11
    - Installation information ..... 11

## Check Valves and Strainers

### Lift Check Valves to ANSI/ASME

## SICCA 800-4500 PCF



#### Main applications

- Mining
- Chemical industry
- Descaling units
- Domestic water supply
- Boiler feed applications
- Boiler recirculation
- Fossil-fuelled power stations
- Cooling circuits
- Pulp and paper industry
- Petrochemical industry
- Pharmaceutical industry
- Pipelines and tank farms
- Refineries
- Rainwater harvesting
- Process engineering
- Heat recovery systems
- Hot-water heating systems
- Water extraction
- Water supply systems
- Sugar industry

#### Fluids handled

- Service water
- Steam
- Fluids containing gas
- Gas
- High-temperature hot water
- Heating water

- Condensate
- Cooling water
- Fire-fighting water
- Volatile fluids
- Fluids containing mineral oils
- Oil
- Lubricants
- Grey water
- Feed water
- Thermal oil
- Wash water

#### Operating data

##### Operating properties

Characteristic	Value
Nominal pressure	Class 800 - 4500
Nominal size [inch]	NPS ¼ - 2
Max. permissible pressure [bar]	776
Max. permissible pressure [psi]	11250
Min. permissible temperature [°C]	≥ 0
Max. permissible temperature [°C]	≤ +816
Min. permissible temperature [°F]	≥ 0
Max. permissible temperature [°F]	≤ +1500

Selection as per pressure/temperature ratings (⇒ Page 6)

#### Body materials

##### Overview of available materials

Material	Temperature limit	
	[°C]	[°F]
ASTM A105	≤ 425	≤ 800
ASTM A182 304L	≤ 450	≤ 850
ASTM A182 316L	≤ 450	≤ 850
ASTM A182 F22	≤ 593	≤ 1100
ASTM A182 F91	≤ 650	≤ 1200
ASTM A182 F304	≤ 816	≤ 1500
ASTM A182 F316	≤ 816	≤ 1500
ASTM A350 LF2	≤ 425	≤ 800

#### Design details

##### Design

- Lift check valve to API 602 (Class 800/1500)
- Lift check valve to ASME B16.34 (Class 2500/4500)
- Tested to API 598
- Body made of forged steel
- Straight-way pattern
- Bolted cover (Class 800)
- Seal-welded body/cover joint (Class 1500/2500/4500)
- Spring-loaded check disc
- Hard-faced seat/disc interface (13 % chrome steel/Stellite)

- Fully confined cover gasket (Class 800)
- Integral ST6 hard-faced seat ring
- The valves satisfy the safety requirements of Annex I of the European Pressure Equipment Directive 2014/68/EU (PED) for fluids in Groups 1 and 2.

#### **Variants**

- Threaded ends
- Butt weld ends

#### **Product benefits**

- Long service life and high functional reliability
  - Hard-faced body seat made of wear-resistant and corrosion-resistant 13 % chrome steel or Stellite.
- Additional features ensure safe sealing to atmosphere:
  - Fully confined cover gasket with controlled compression ensures leak-proof joint.
  - Welded body/cover joint provides added safety at high operating pressures and operating temperatures.
- Reliable, tight shut-off
  - Zero leakage thanks to perfect contact at seat/disc interface.

#### **Related documents**

Information/documents

Document	Reference number
Operating manual	0500.80

#### **Purchase order specifications**

Please specify the following information in all enquiries or purchase orders:

1. Type
2. Class
3. Nominal size
4. Design pressure
5. Design temperature
6. Operating pressure
7. Operating temperature
8. Differential pressure
9. Material
10. Fluid handled
11. Flow rate
12. Pipe connection
13. Pipe schedule
14. Variants
15. Reference number

Always indicate the original serial number and the year of construction when ordering spare parts.

Pressure/temperature ratings

Permissible operating pressures [bar] (in acc. with ASME B16.34 Standard Class)

Class	Material	[°C]																							
		-29 to +38	93	149	204	260	316	343	371	399	427	454	482	510	538	566	593	621	649	677	704	732	760	788	816
150	A105 <sup>1)</sup>	20	18	16	14	12	10	9	8	7	6	5	3	2	1	-	-	-	-	-	-	-	-	-	-
300	A350 LF2	51	47	45	44	42	39	38	37	35	28	22	16	9	6	-	-	-	-	-	-	-	-	-	-
600		102	94	90	87	83	78	76	73	70	57	44	32	19	12	-	-	-	-	-	-	-	-	-	-
800 <sup>2)</sup>		136	125	120	117	111	105	101	98	93	76	59	42	25	16	-	-	-	-	-	-	-	-	-	-
1500		256	234	226	219	208	196	189	184	175	142	110	79	47	30	-	-	-	-	-	-	-	-	-	-
2500		425	390	376	364	347	326	315	305	292	237	183	132	79	49	-	-	-	-	-	-	-	-	-	-
4500		766	702	753	730	623	587	568	549	525	426	289	238	142	-	-	-	-	-	-	-	-	-	-	-
150	A182 F22 <sup>3)</sup>	20	18	16	14	12	10	9	8	7	6	5	3	2	1	1	1	1	1	1	1	1	1	1	1
300		52	52	50	49	46	42	41	39	37	35	33	31	27	18	12	8	5	3	-	-	-	-	-	-
600		103	103	100	97	92	83	81	78	73	70	67	62	52	37	24	15	9	6	-	-	-	-	-	-
800 <sup>2)</sup>		138	138	134	130	122	111	108	105	98	93	90	83	71	49	32	20	12	8	-	-	-	-	-	-
1500		259	259	251	243	229	209	203	196	183	175	168	155	133	92	60	38	24	14	-	-	-	-	-	-
2500		431	431	419	405	382	348	338	326	305	292	280	258	222	154	100	63	39	24	-	-	-	-	-	-
4500		776	773	753	730	687	626	609	581	549	525	504	465	400	277	181	113	71	42	-	-	-	-	-	-
1500	A182 F91	259	259	251	243	229	209	203	196	183	175	168	155	133	125	124	104	77	50	-	-	-	-	-	-
2500		431	431	419	405	382	347	338	326	305	292	280	258	222	209	207	173	128	83	-	-	-	-	-	-
4500		776	776	753	730	687	625	608	587	550	525	504	465	400	376	372	312	231	149	-	-	-	-	-	-
150	A182 F316L A182 F304L	16	13	12	11	10	10	9	8	8	6	4	-	-	-	-	-	-	-	-	-	-	-	-	-
300		41	35	31	29	27	26	25	25	24	24	23	-	-	-	-	-	-	-	-	-	-	-	-	-
600		83	70	63	58	54	51	50	50	49	48	47	-	-	-	-	-	-	-	-	-	-	-	-	-
800		110	94	84	77	72	68	67	66	65	63	62	-	-	-	-	-	-	-	-	-	-	-	-	-
1500		207	176	157	145	136	128	126	124	122	119	117	-	-	-	-	-	-	-	-	-	-	-	-	-
2500		345	294	262	241	226	214	210	207	203	199	194	-	-	-	-	-	-	-	-	-	-	-	-	-
4500		621	529	472	434	407	385	377	372	365	357	350	-	-	-	-	-	-	-	-	-	-	-	-	-
150	A182 F316	19	22	15	13	12	10	9	8	7	6	4	3	2	1	1	1	1	1	1	1	1	1	1	1
300		50	43	39	36	33	31	30	30	29	29	29	27	25	25	21	16	13	10	8	7	5	4	3	3
600		99	85	77	71	66	62	61	60	59	58	58	57	53	50	42	33	26	20	16	13	10	8	6	6
800		132	114	103	94	88	83	81	80	79	78	77	76	71	67	56	43	34	27	21	18	14	11	8	8
1500		248	213	193	177	165	155	152	150	147	145	144	143	133	125	124	105	82	64	51	40	33	26	20	14
2500		414	377	321	295	274	259	254	250	245	243	240	239	222	209	207	175	136	107	85	67	55	43	33	24
4500		745	641	578	531	494	467	457	449	442	437	432	430	400	376	372	315	245	191	152	121	99	78	60	43
150	A182 F304	19	16	14	13	12	10	9	8	7	6	4	3	2	1	1	1	1	1	1	1	1	1	1	1
300		50	41	37	34	32	30	30	29	29	28	27	27	26	24	22	18	14	11	9	8	7	5	4	3
600		99	83	74	69	64	61	60	58	57	56	54	54	53	49	45	36	28	23	18	16	13	10	8	6
800		132	110	99	91	85	81	79	78	76	74	73	71	70	65	60	47	38	30	24	21	17	14	11	8
1500		248	207	185	171	161	152	149	145	142	140	137	134	132	122	112	89	71	57	46	39	32	26	20	14
2500		414	345	309	285	268	254	248	243	237	233	228	223	219	203	187	148	118	94	77	65	53	43	33	24
4500		745	621	556	514	482	457	447	437	427	420	410	402	395	366	337	266	213	170	138	117	96	78	60	43

Permissible operating pressures [psi] (in acc. with ASME B16.34 Standard Class)

Class	Material	[°F]																							
		-20 to +100	200	300	400	500	600	650	700	750	800	850	900	950	1000	1050	1100	1150	1200	1250	1300	1350	1400	1450	1500
150	A105 <sup>1)</sup>	285	260	230	200	170	140	125	110	95	80	65	50	35	20	-	-	-	-	-	-	-	-	-	-
300	A350 LF2	740	680	655	635	605	570	550	530	505	410	320	230	135	85	-	-	-	-	-	-	-	-	-	-
600		1480	1360	1310	1265	1205	1135	1100	1060	1015	825	640	460	275	170	-	-	-	-	-	-	-	-	-	-
800 <sup>2)</sup>		1975	1810	1745	1690	1610	1515	1465	1415	1350	1100	850	615	365	225	-	-	-	-	-	-	-	-	-	-
1500		3705	3395	3270	3170	3015	2840	2745	2665	2535	2055	1595	1150	685	430	-	-	-	-	-	-	-	-	-	-
2500		6170	5655	5450	5280	5025	4730	4575	4425	4230	3430	2655	1915	1145	715	-	-	-	-	-	-	-	-	-	-
4500		11110	10185	9815	9505	9040	8515	8240	7960	7610	6170	4185	3455	2055	1285	-	-	-	-	-	-	-	-	-	-
150	A182 F22 <sup>3)</sup>	290	260	230	200	170	140	125	110	95	80	65	50	35	20	20	20	20	15	-	-	-	-	-	-
300		750	750	730	705	665	605	590	570	530	510	485	450	385	265	175	110	70	40	-	-	-	-	-	-
600		1500	1500	1455	1410	1330	1210	1175	1135	1065	1015	975	900	755	535	350	220	135	80	-	-	-	-	-	-
800 <sup>2)</sup>		2000	2000	1940	1880	1775	1615	1570	1515	1420	1355	1300	1200	1025	710	465	295	180	110	-	-	-	-	-	-
1500		3750	3750	3640	3530	3325	3025	2940	2840	2660	2540	2435	2245	1930	1335	875	550	345	205	-	-	-	-	-	-
2500		6250	6250	6070	5880	5540	5040	4905	4730	4430	4060	3745	3220	2230	1455	915	570	345	205	-	-	-	-	-	-
4500		11251	11211	10925	10585	9965	9070	8825	8515	7970	7610	7305	6740	5795	4010	2625	1645	1030	615	-	-	-	-	-	-
1500	A182 F91	3750	3750	3640	3530	3325	3025	2940	2840	2660	2540	2435	2245	1930	1820	1800	1510	1115	720	-	-	-	-	-	-
2500		6250	6250	6070	5880	5540	5040	4905	4730	4430	4060	3745	3220	3030											

Class	Material	[°F]																							
		-20 to +100	200	300	400	500	600	650	700	750	800	850	900	950	1000	1050	1100	1150	1200	1250	1300	1350	1400	1450	1500
4500	A182 F316L A182 F304L	9000	7670	6840	6300	5905	5580	5470	5400	5290	5185	5075	-	-	-	-	-	-	-	-	-	-	-	-	-
150	A182 F316	275	235	215	195	170	140	125	110	95	80	65	50	35	20	20	20	20	20	20	20	20	20	20	15
300		720	620	560	515	480	450	440	435	425	420	420	415	385	365	360	305	235	185	145	115	95	75	60	40
600		1440	1240	1120	1025	955	900	885	870	855	845	835	830	775	725	720	610	475	370	295	235	190	150	115	85
800		1920	1655	1495	1370	1275	1205	1180	1160	1140	1125	1115	1105	1030	970	960	815	630	495	390	310	255	200	155	110
1500		3600	3095	2795	2570	2390	2255	2210	2170	2135	2110	2090	2075	1930	1820	1800	1525	1185	925	735	585	480	380	290	205
2500		6000	5160	4660	4280	3980	3760	3680	3620	3560	3520	3480	3460	3220	3030	3000	2545	1970	1545	1230	970	800	630	485	345
4500		10800	9290	8390	7705	7165	6770	6625	6515	6410	6335	6265	6230	5795	5450	5400	4575	3550	2775	2210	1750	1440	1130	875	620
150	A182 F304	275	230	205	190	170	140	125	110	95	80	65	50	35	20	20	20	20	20	20	20	20	20	20	15
300		720	600	540	495	465	440	430	420	415	405	395	390	380	355	325	255	205	165	135	115	95	75	60	40
600		1440	1200	1075	995	930	885	865	845	825	810	790	780	765	710	650	515	410	330	265	225	185	150	115	85
800		1920	1600	1435	1325	1240	1180	1150	1125	1100	1080	1055	1035	1020	945	865	685	545	440	355	300	250	200	155	110
1500		3600	3000	2690	2485	2330	2210	2160	2110	2065	2030	1980	1945	1910	1770	1630	1285	1030	825	670	565	465	380	290	205
2500		6000	5000	4480	4140	3880	3680	3600	3520	3440	3380	3300	3240	3180	2950	2715	2145	1715	1370	1115	945	770	630	485	345
4500		10800	9000	8065	7450	6985	6625	6480	6335	6190	6085	5940	5830	5725	5315	4885	3855	3085	2470	2005	1695	1390	1130	875	620

Test pressure for A105/A182 F22/A182 F91

Test	Test medium	Class 800 <sup>4)</sup>	Class 1500 <sup>4)</sup>	Class 2500 <sup>5)</sup>	Class 4500
		[bar]	[bar]	[bar]	[bar]
Shell	Water	207	388	647	1165
Leak test (seat)		152	285	474	855

Test pressure for A182 F304L/A182 F316L

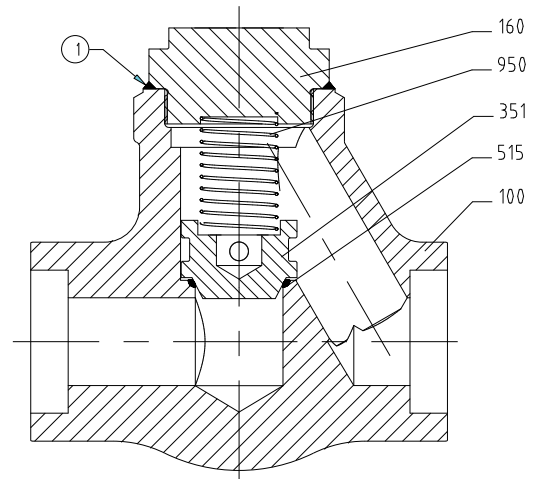
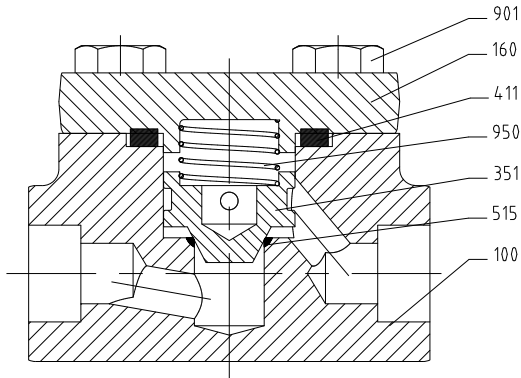
Test	Test medium	Class 800 <sup>4)</sup>	Class 1500 <sup>4)</sup>	Class 2500 <sup>5)</sup>
		[bar]	[bar]	[bar]
Shell	Water	166	347	578
Leak test (seat)		122	256	424

Test pressure for A182 F304/A182 F316

Test	Test medium	Class 800 <sup>4)</sup>	Class 1500 <sup>4)</sup>	Class 2500 <sup>5)</sup>
		[bar]	[bar]	[bar]
Shell	Water	199	388	647
Leak test (seat)		146	285	475

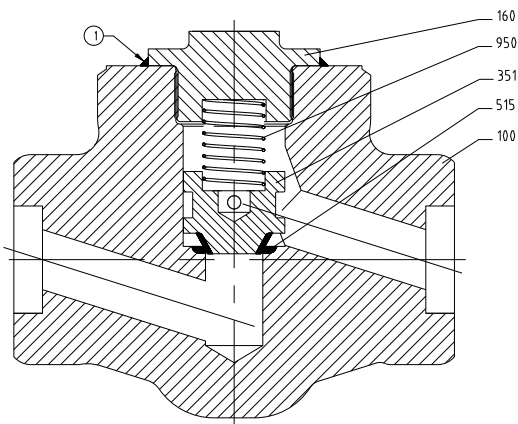
4) To API 598  
5) To ASME B16.34

Materials



SICCA 800 PCF

SICCA 1500/2500 PCF



SICCA 4500 PCF

① Seal-welded

Parts list

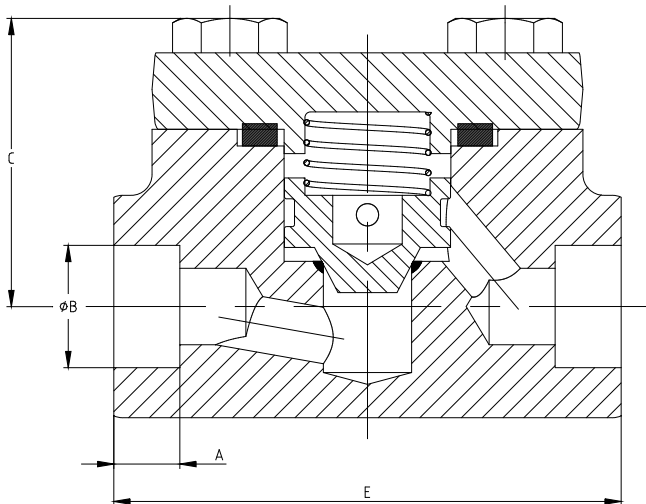
Part No.	Description	Class	Material	Note
100	Body	800	A105	
			A182 F304	
			A182 F316	
			A182 F316L	
		1500/2500/4500	A350 LF2	
			A105	
			A182 F22	
			A182 F91	
			A182 F304	
			A182 F316	
160	Cover	800	A105	
			A182 F316L	
			A182 F304	
			A182 F316	
		1500/2500/4500	A105	
A182 F22				
A182 F91				
A182 F304				
A182 F316				
351	Check disc	800	A276 F304	
			A276 316	
			A276 F316L	
			A276-410 (H)	
			A351 CF8	



Part No.	Description	Class	Material	Note
351	Check disc	1500/2500	A276 304+ST6	
			A276 316+ST6	
			A276 410 (H)	
		4500	A351 CF3M	
			A351 CF8M	
			A276 304+ST6	
411	Joint ring	800	Stainless steel/graphite	
515	Seat ring	800/1500/2500/4500	ST6	Integral
901	Bolt	800	A193-B7 A193-B8M Cl.2	
950	Spring	800/1500/2500/4500	A313-SS 302	
			SS 304	
		1500/2500/4500	XM750	

### Dimensions and weights

#### Dimensions and weights of SICCA 800 PCF



SICCA 800 PCF

#### Dimensions and weights

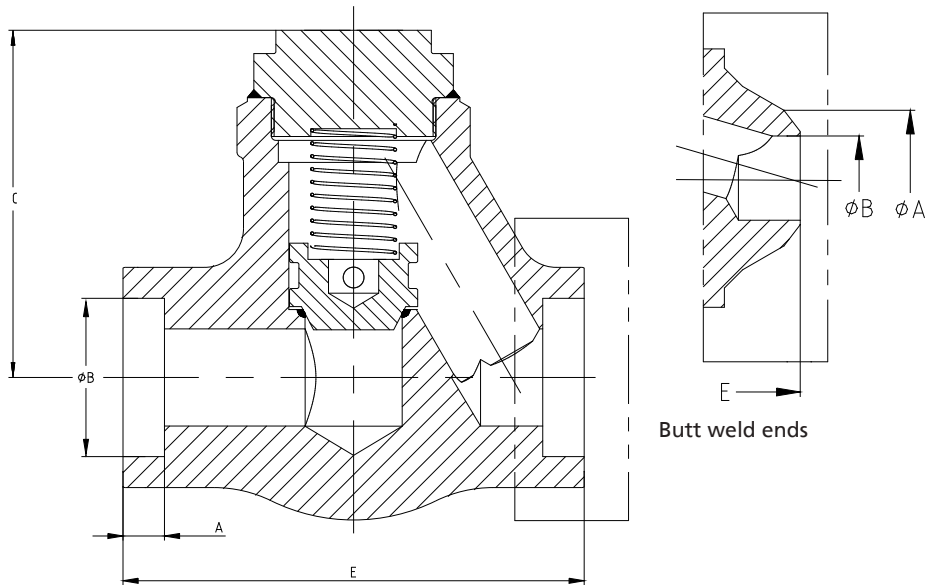
Class	NPS [inch]	A [mm]	ØB [mm]	C <sup>6)7)</sup> [mm]	E [mm]	[kg] <sup>7)</sup>
800	1/4	9,5	14,4	50	73	1,0
	3/8	9,5	17,6	50	73	1,0
	1/2	9,5	21,8	50	73	1,0
	3/4	13,0	27,1	60	82	1,6
	1	13,0	33,8	65	108	2,0
	1 1/2	13,0	48,7	90	152	4,9
2	16,0	61,1	125	148	8,8	

#### Mating dimensions as per standard

Face-to-face lengths: Manufacturer's standard  
Threaded sockets (F): ASME B1.20.1  
Socket weld ends: ASME B16.11

6) Open  
7) Approximate values

Dimensions and weights of SICCA 1500/2500 PCF



SICCA 1500/2500 PCF

Dimensions and weights

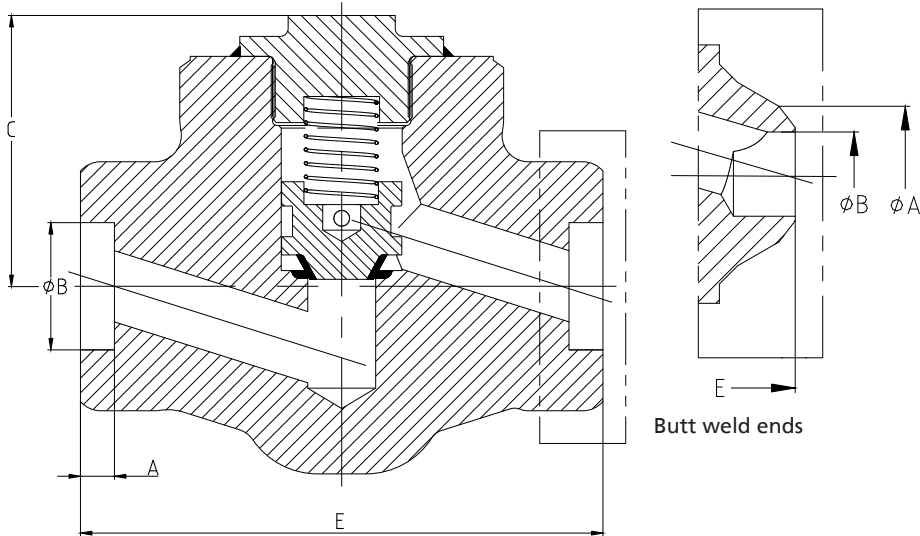
Class	NPS	A <sup>8)</sup>	ØA <sup>9)</sup>	ØB <sup>9)</sup>	ØB <sup>8)</sup>	C <sup>10)11)</sup>	E	[kg] <sup>11)</sup>
	[inch]	[mm]	[mm]	[mm]	[mm]	[mm]	[mm]	
1500	1/4	9,5	-	-	14,4	65	73	1,0
	3/8	9,5	-	-	17,6	65	73	1,0
	1/2	9,5	21,3	11,8	21,8	65	73	1,0
	3/4	13,0	26,7	15,6	27,1	80	94	2,0
	1	13,0	33,4	15,2	33,8	80	122	3,0
	1 1/2	13,0	48,3	34	48,7	120	160	7,5
2500	2	16,0	60,3	42,8	61,1	140	178	10,0
	1/4	10,0	-	-	14,4	80	85	1,5
	3/8	10,0	-	-	17,6	80	85	1,5
	1/2	10,0	21,3	6,4	21,7	80	85	1,5
	3/4	13,0	26,7	11	27,1	80	98	2,0
	1	13,0	33,4	15,3	33,8	90	104	3,0
	1 1/2	13	48,3	28	48,7	120	146	7,0
2	16,0	60,3	38,2	61,1	135	172	10,0	

Mating dimensions as per standard

Face-to-face lengths: Manufacturer's standard  
Butt weld ends: ASME B16.25  
Socket weld ends: ASME B16.11

8) Valve with socket weld ends  
9) Valve with butt weld ends  
10) Open  
11) Approximate values

### Dimensions and weights of SICCA 4500 PCF



SICCA 4500 PCF

### Dimensions and weights

Class	NPS	A <sup>12)</sup>	ØA <sup>13)</sup>	ØB <sup>13)</sup>	ØB <sup>12)</sup>	C <sup>14)15)</sup>	E	[kg] <sup>15)</sup>
	[inch]	[mm]	[mm]	[mm]	[mm]	[mm]	[mm]	
4500	1/2	10,0	21,3	10-16	21,7	80	140	4,6
	3/4	13,0	26,7	10-16	27,1	80	140	4,6
	1	13,0	33,4	12-20	33,8	95	170	8,0
	1 1/2	13,0	48,3	18-30	48,7	110	200	14,5
	2	16,0	60,3	24-38	61,7	110	230	19,6

### Mating dimensions as per standard

Face-to-face lengths: Manufacturer's standard  
Butt weld ends: ASME B16.25  
Socket weld ends: ASME B16.11

### Installation information

Lift check valves must be installed in horizontal pipes only. Installation in vertical pipes is not allowed as the check disc could jam inside the body.

The valve bodies are marked with an arrow indicating the flow direction.

12) Valve with socket weld ends  
13) Valve with butt weld ends  
14) Open  
15) Approximate values



**KSB Pumps Limited**  
151, NSN Palayam Post  
Mettupalayam Road • Coimbatore - 641 031. (India)  
Tel. : +91 422 2468222  
Fax : +91 422 2468232  
E-mail : [contactusksbindia@ksb.com](mailto:contactusksbindia@ksb.com)  
[www.ksbindia.co.in](http://www.ksbindia.co.in)